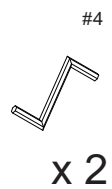
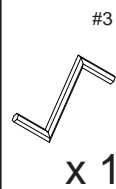
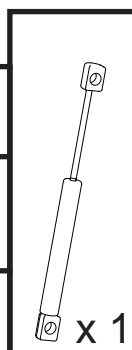
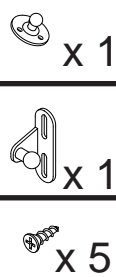
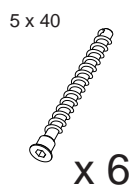
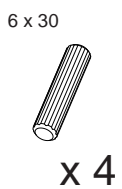
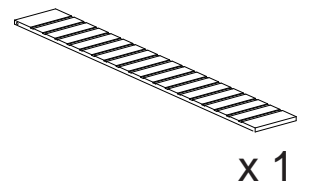
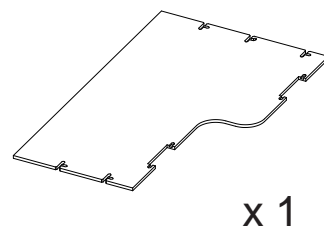
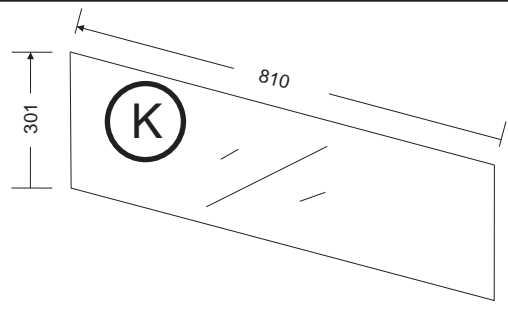
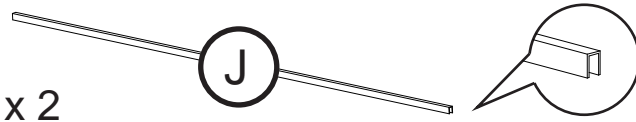
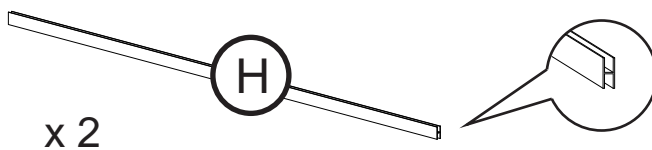
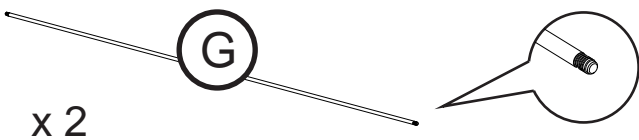
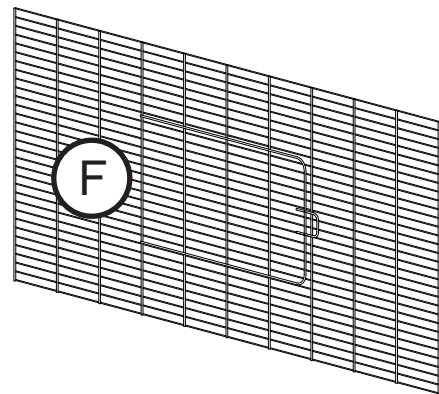
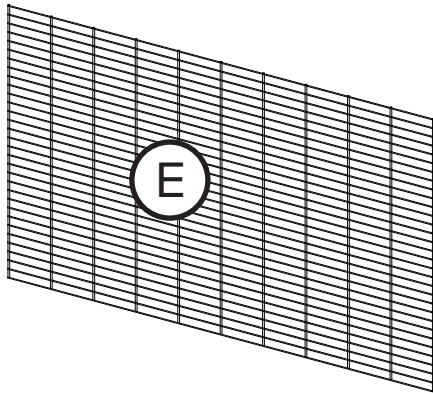
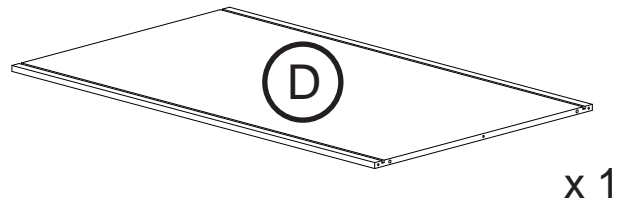
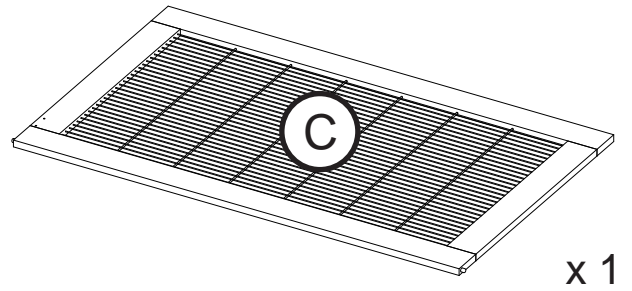
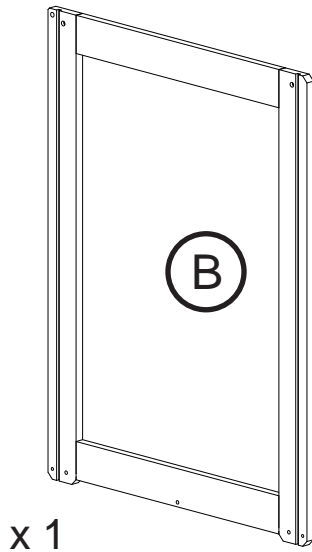
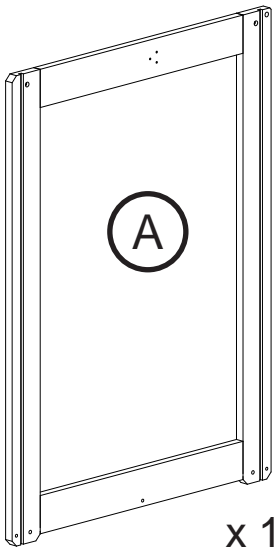
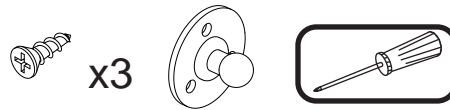
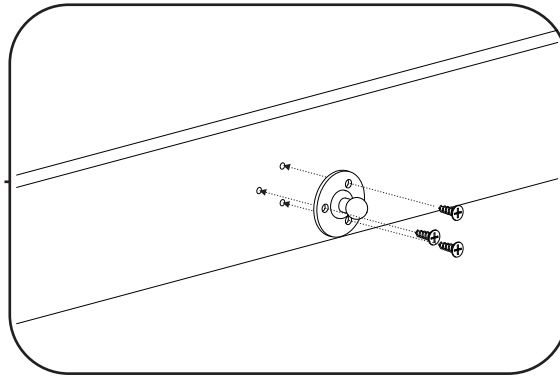
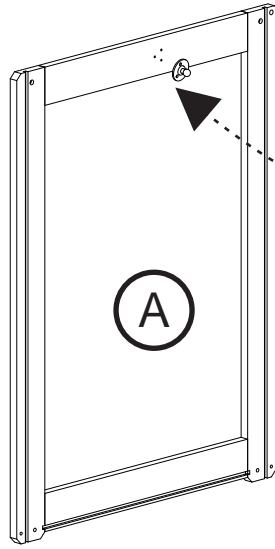


# ASSEMBLING INSTRUCTION

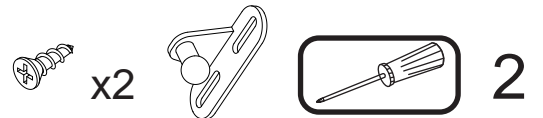
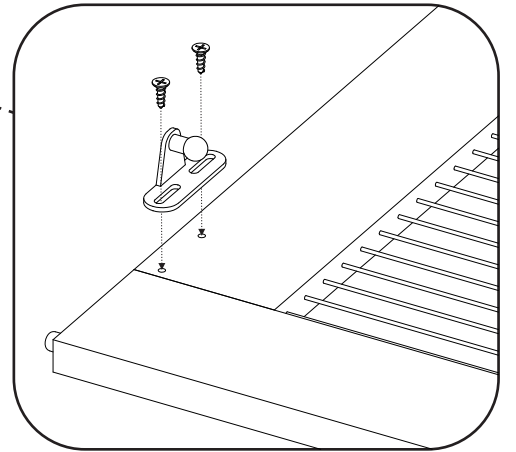
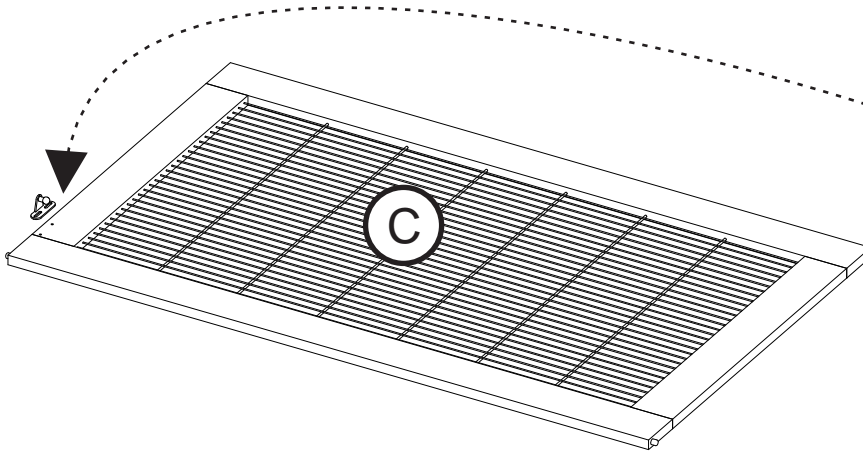
11038



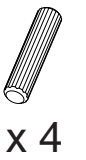
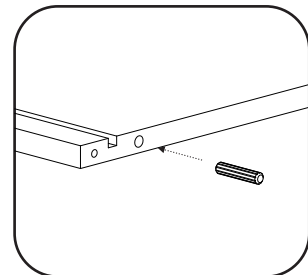
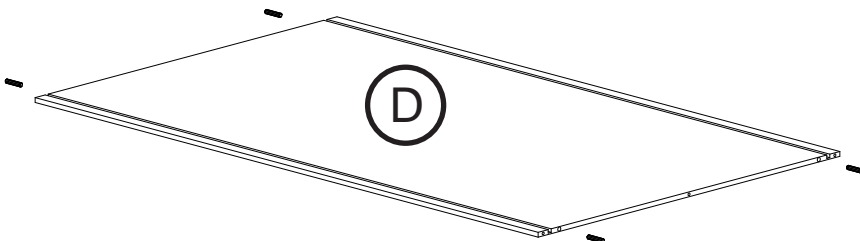
# ASSEMBLING INSTRUCTION



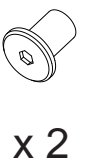
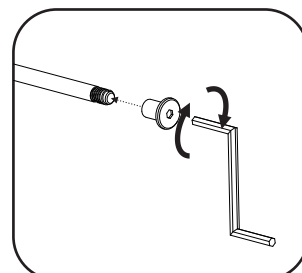
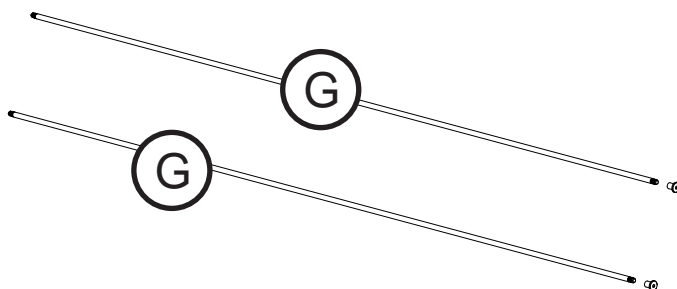
1



2

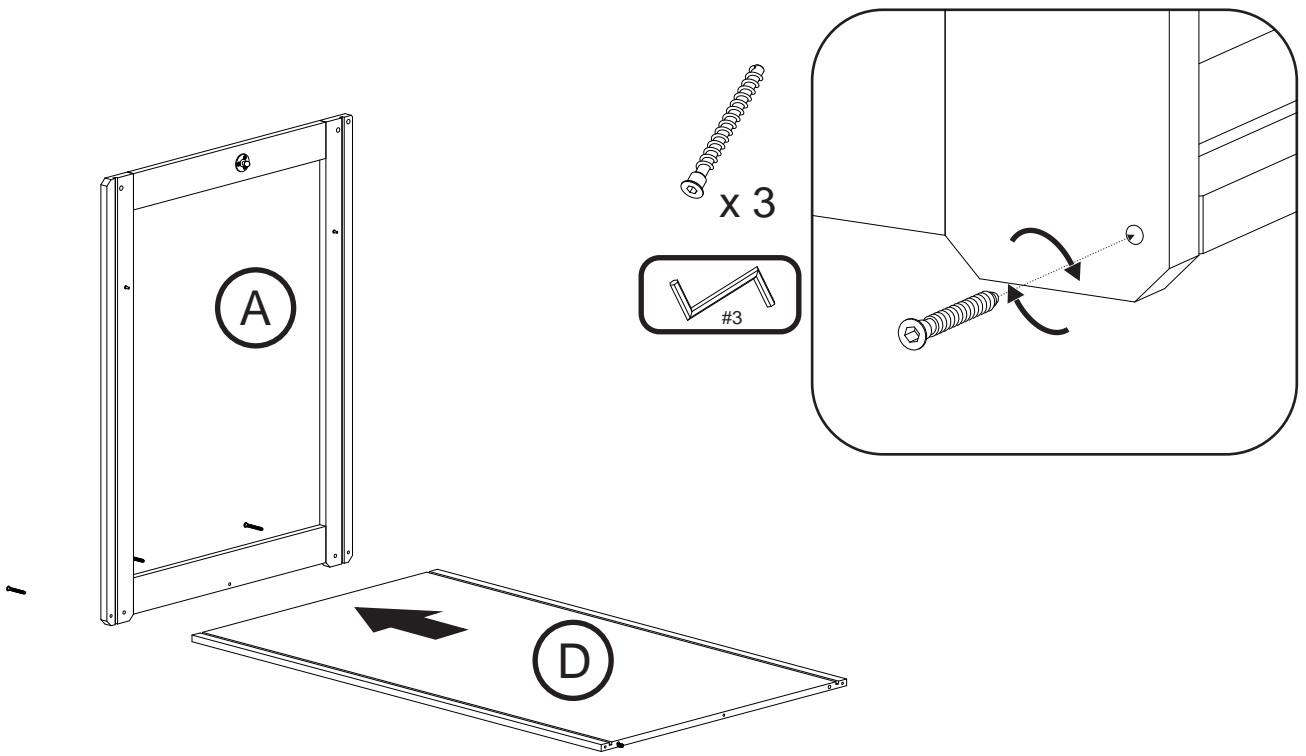


3

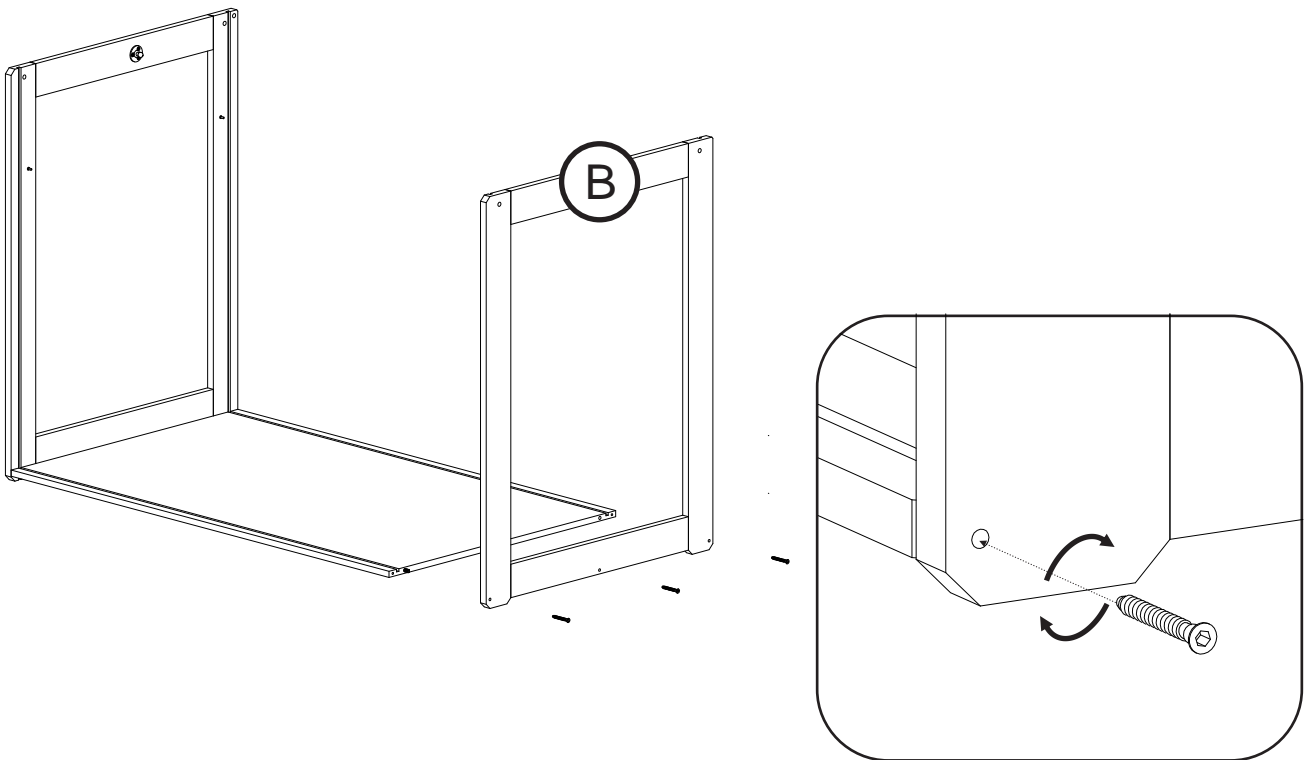


4

# ASSEMBLING INSTRUCTION

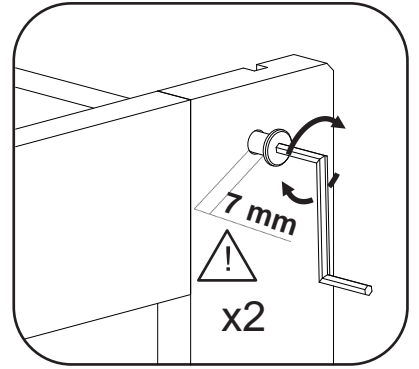
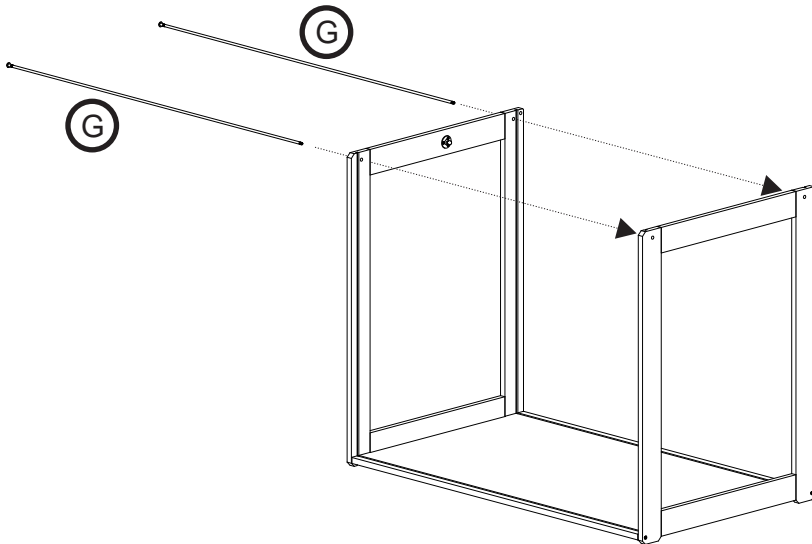


5

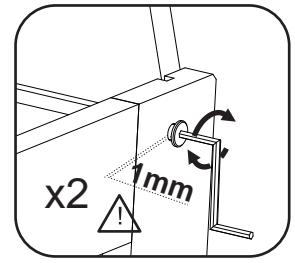
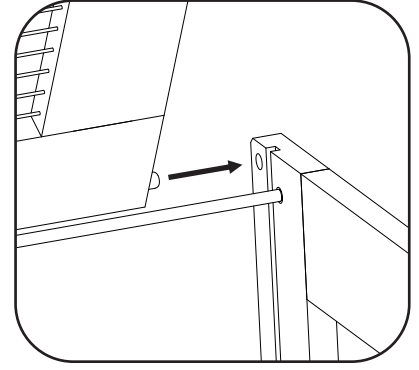
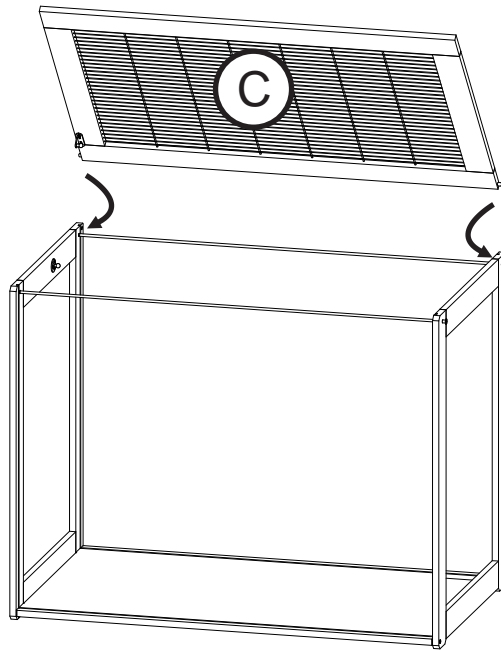
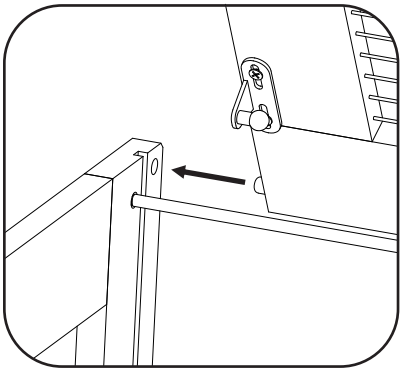


6

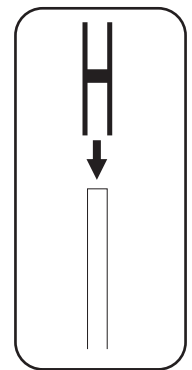
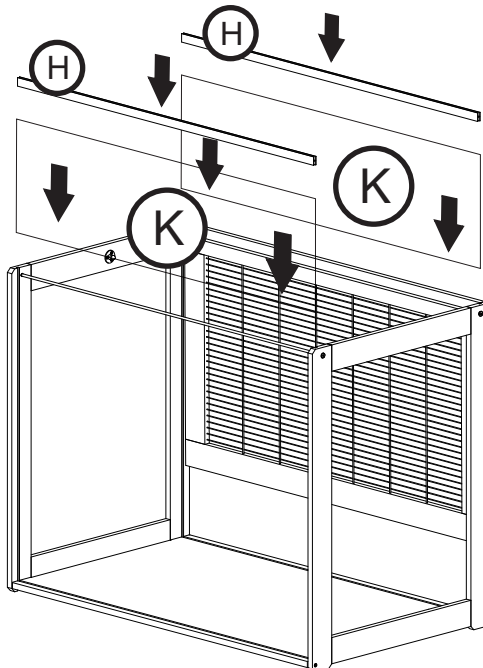
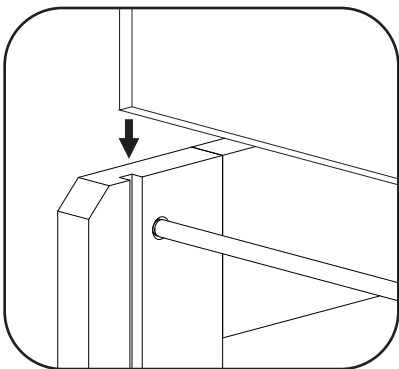
# ASSEMBLING INSTRUCTION



7

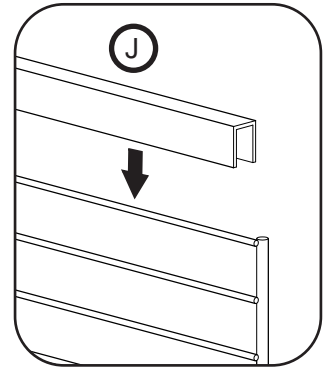
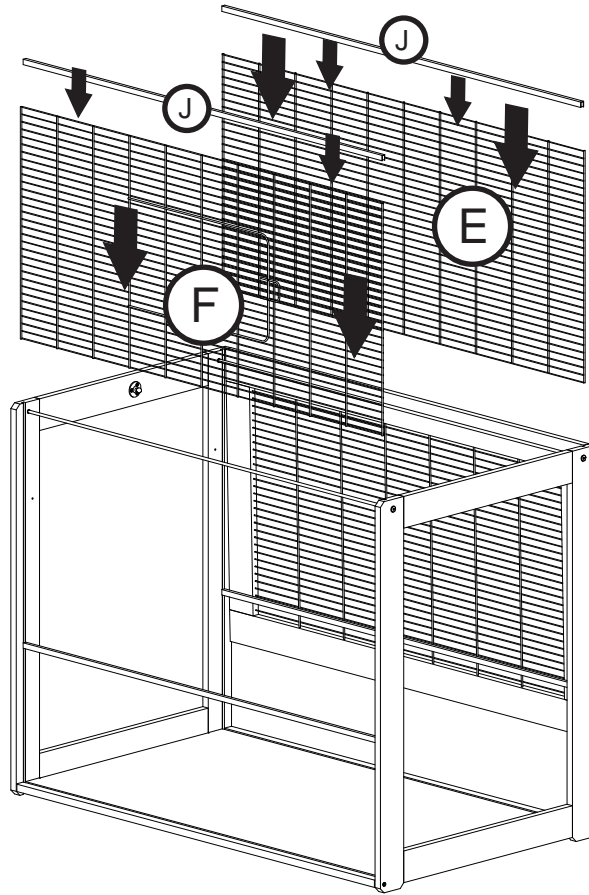


8

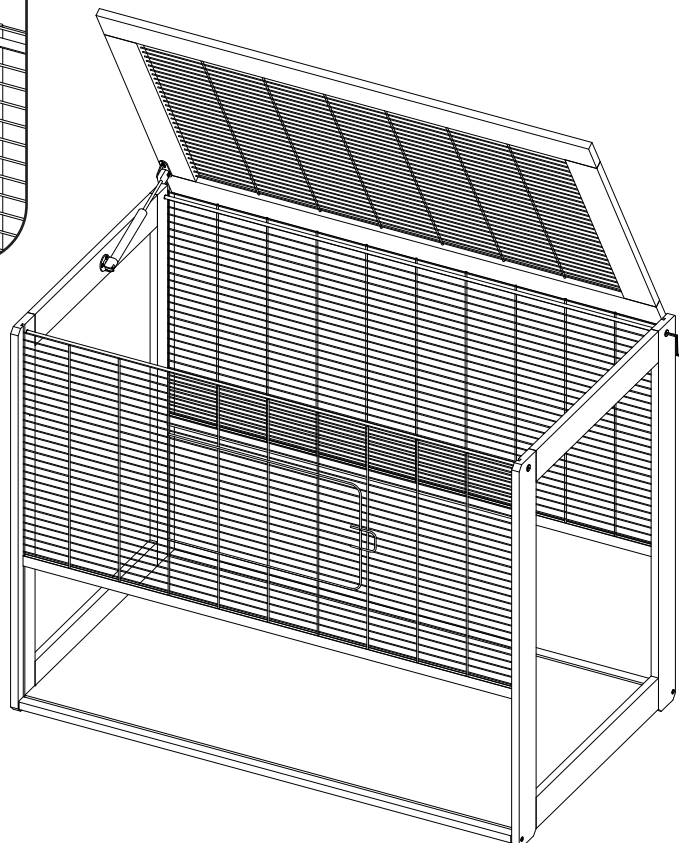
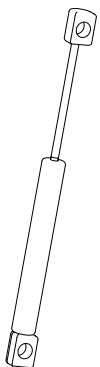
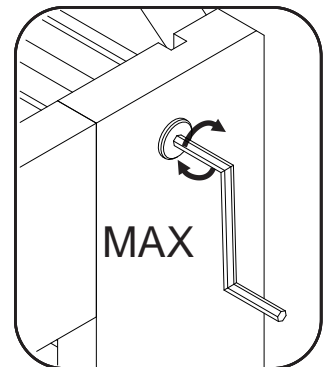
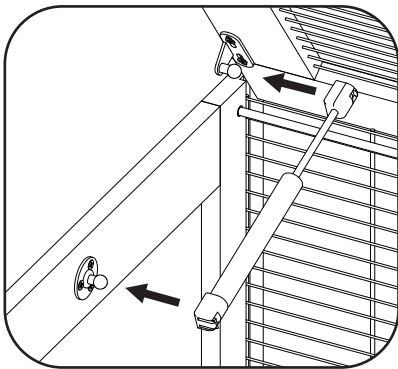


9

# ASSEMBLING INSTRUCTION

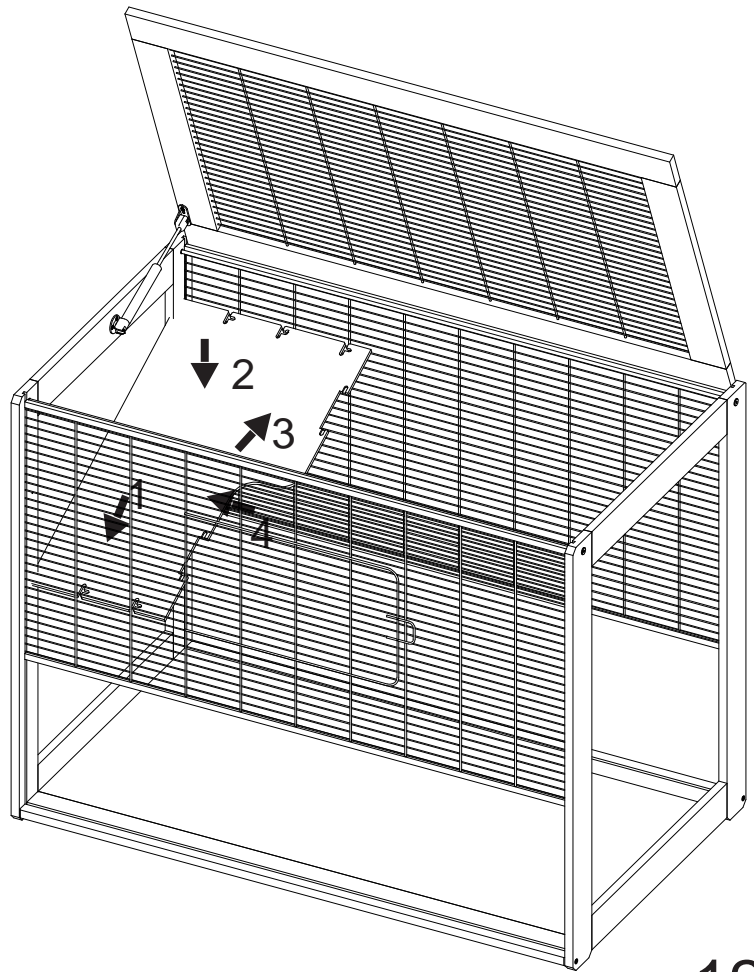
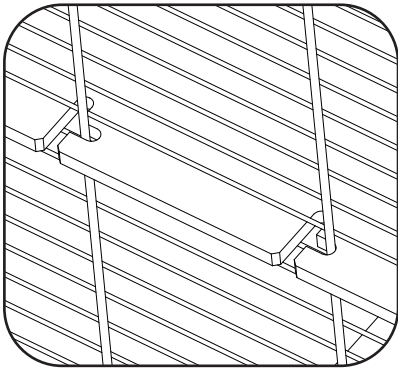


10

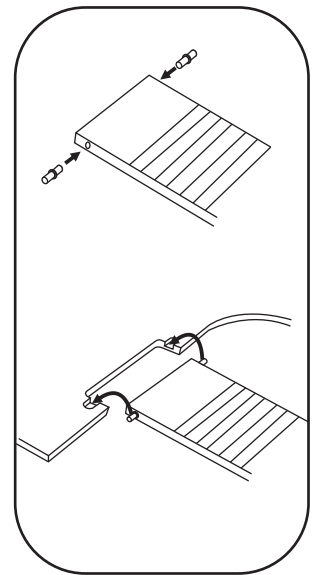
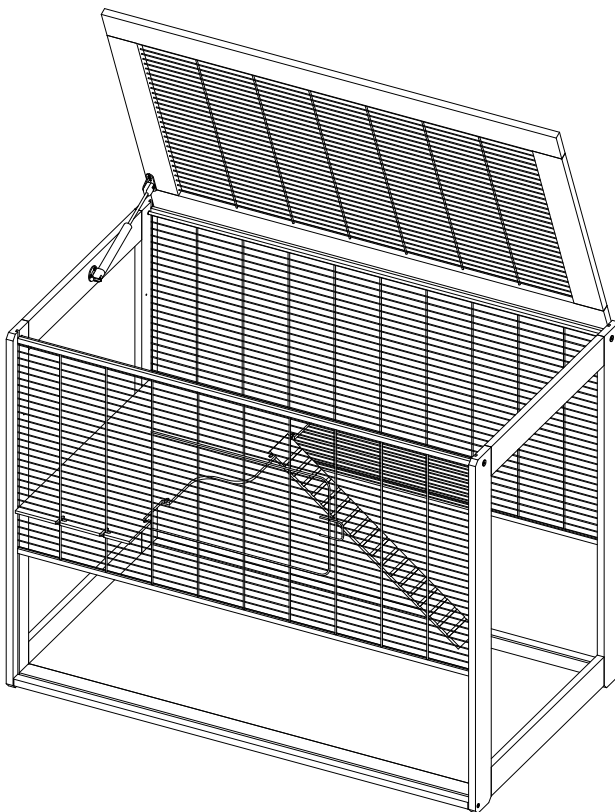


11

# ASSEMBLING INSTRUCTION



12



13